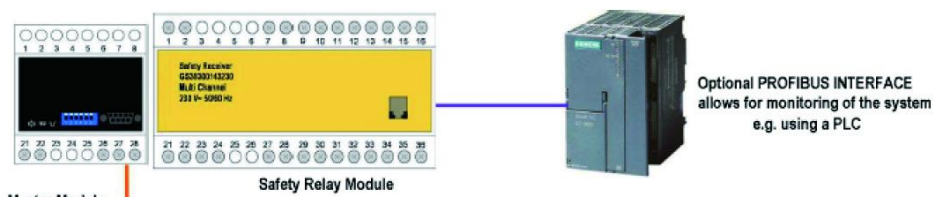
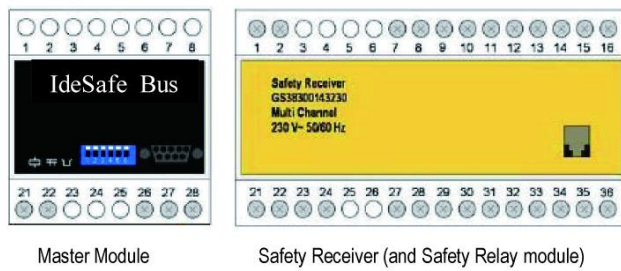


IdeSafe Bus System – 2 wire Safety Communication for Rope Switches

2 Wire Bus System for use with Rope Switches

- Programmable 2 wire Safety Bus system
- Satisfies highest safety levels using a 2 wire connection bus
- DIN rail mounting
- Monitored or Auto reset
- High Flexibility – easy to expand the system
- Communication capabilities – can be interfaced to most Text displays
- Profibus connection Module available for Diagnostic connection to PLC



2 wire connection only

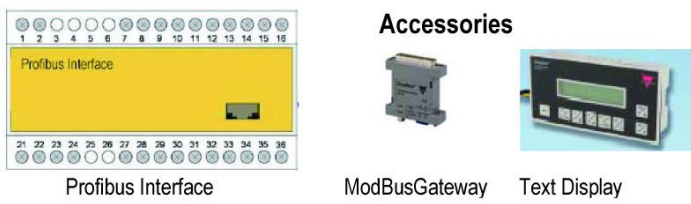
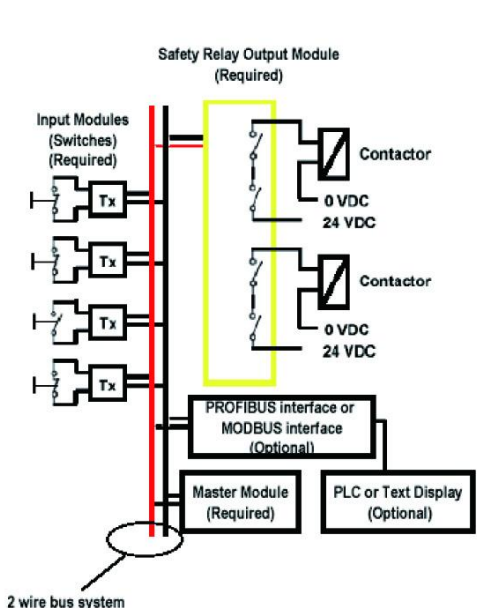
Input Modules are address programmable and are incorporated within switches

The Safety Relay will open the contacts if it does not receive a valid "input contact closed" signal from all the input modules which it has been configured to monitor.

Diagnostic information via PLC, PC or Text Display

Up to 63 safety signals (switches) on one IdeSafe bus

EN 954-1 Cat.4 EN61508 SIL3 TUV Approved



Sales Number	Type	Supply Voltage
182001	Master Module – Channel Generator	24V.dc
182002	Master Module – Channel Generator	110V/ 230V.ac
182003	Safety Relay Module (Receiver)	110V/ 230V.ac
182004	ModBus Gateway Text Display Interface	
182005	Text Display	
182006	Profibus Interface	110V/ 230V.ac
182007	Programming Module / Interface	
Switches with Input Modules		
182101	GLHD Rope switch M20	Die Cast - PaintedYellow
182102	GLHD Rope switch 1/2" NPT	Die Cast - PaintedYellow
182103	GLHL Rope switch M20	Die Cast - PaintedYellow
182104	GLHL Rope switch 1/2" NPT	Die Cast - PaintedYellow
182105	GLHR Rope switch M20	Die Cast - PaintedYellow
182106	GLHR Rope switch 1/2" NPT	Die Cast - PaintedYellow
182107	GLHD-SS Rope switch M20	Stainless Steel 316
182108	GLHD-SS Rope switch 1/2" NPT	Stainless Steel 316
182109	GLHL-SS Rope switch M20	Stainless Steel 316
182110	GLHL-SS Rope switch 1/2" NPT	Stainless Steel 316
182111	GLHR-SS Rope switch M20	Stainless Steel 316
182112	GLHR-SS Rope switch 1/2" NPT	Stainless Steel 316