

## SAFETY LIGHT GRIDS - Types SLGC SLGM

Suitable for preventing pedestrian access in areas such as conveyor loading/unloading, palletisers, end of line access, fork lift truck access

Rugged housing with integrated control unit

Integrated muting option, no external controller required

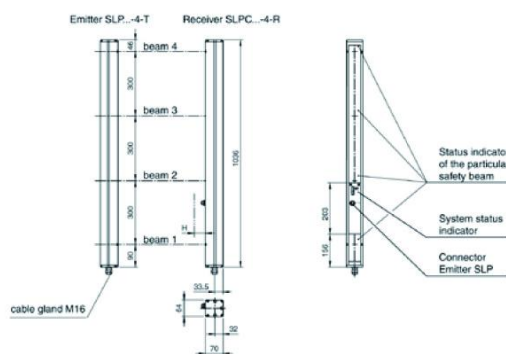
Muting Types SLGM: Parallel or sequential muting with time or safety beam limiting function.

Detection range up to 65m

Self monitoring (type 4 to IEC/EN 61496-1)

2, 3 or 4 beam

M12 connection on the front side for muting sensors



	SLGC-10 and SLGM-10	SLGC-30 and SLGM-30	SLGC-65 and SLGM-65
No. of beams	2, 3 or 4 depending upon height		
Beam spacing	500mm / 400mm / 300mm depending upon height		
Detection range	0.2 to 10m.	6 to 30m.	12 to 65m.
Angle of divergence	< 5 degrees		
Outputs	2 independent failsafe force guided NO/ PNP semiconductor outputs		
Response time	Max. 40ms.		
Manual / Auto start	Selectable		
Ambient temperature	0C. to 50C.		
Enclosure protection	IP65		
Connection	Terminal clamps with M16 gland		

Sales Number		No of Beams	Detection length	Protection Height	Pitch	Total Height
<b>Without Muting</b>	<b>With Muting</b>					
SLGC-10-2	SLGM-10-2	2	0.2 to 10m.	500	500	636
SLGC-10-3	SLGM-10-3	3	0.2 to 10m.	800	400	936
SLGC-10-4	SLGM-10-4	4	0.2 to 10m.	900	300	1036
SLGC-30-2	SLGM-30-2	2	6 to 30m.	500	500	636
SLGC-30-3	SLGM-30-3	3	6 to 30m.	800	400	936
SLGC-30-4	SLGM-30-4	4	6 to 30m.	900	300	1036
SLGC-65-2	SLGM-65-2	2	12 to 65m.	500	500	636
SLGC-65-3	SLGM-65-3	3	12 to 65m.	800	400	936
SLGC-65-4	SLGM-65-4	4	12 to 65m.	900	300	1036

### Accessories

Mounting Bracket (1 per pack) 4 are required to mount a set of light grids	MS-SLP
Muting Sensor Kit (1 Set includes 2 sensors & 2 mounting brackets)	RLK-SET
Muting Sensor Cable (2 required for muting set)	V1S-G-2M-PUR

